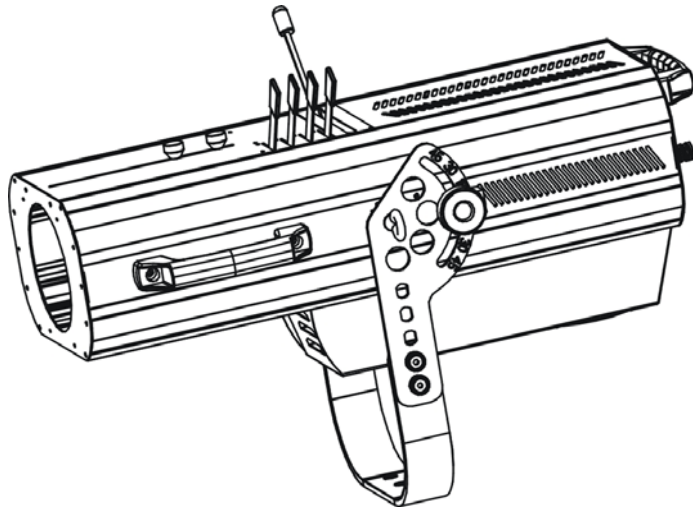

FS-575

Professional Follow Spot



User Guide

Professional Entertainment Technology

TABLE OF CONTENTS

1. Safety Instruction
2. Technical Specification
3. Lamp
4. Troubleshooting
5. Fixture Cleaning

1. Safety Instruction



WARNING

Please read the instruction carefully which includes important information about installation, operation and maintenance.

- ◆ Please keep this User Guide for future consultation. If you sell the unit to another user, be sure that they also receive this user guide.
- ◆ Unpack and check carefully there is no transportation damage before using the unit.
- ◆ Before operating, ensure that the voltage and frequency of power supply match the power requirements of the unit.
- ◆ It's important to ground the yellow/green conductor to earth in order to avoid electric shock.
- ◆ The unit is for indoor use only and only in a dry location.
- ◆ Disconnect main power before lamp replacement or servicing.
- ◆ Replace lamp only with the same type. Do not use any other type of lamp.
- ◆ Make sure there are no flammable materials close to the unit while operating as it is fire hazard.
- ◆ Maximum ambient temperature is TA: 40°C. Don't operate it where the temperature is higher than this.
- ◆ Don't touch the housing bare-hand during its operation. Turn off the power and allow about 15 minutes for the unit to cool down before replacing bulb or servicing as the unit could be very hot.
- ◆ In the event of serious operating problem, stop using the unit immediately. Never try to repair the unit by yourself. Repairs carried out by unskilled people can lead to damage or malfunction. Please contact the nearest authorized technical assistance center. Always use the same type spare parts.
- ◆ Do not touch any wire during operation as high voltage might be causing electric shock.

• Warning

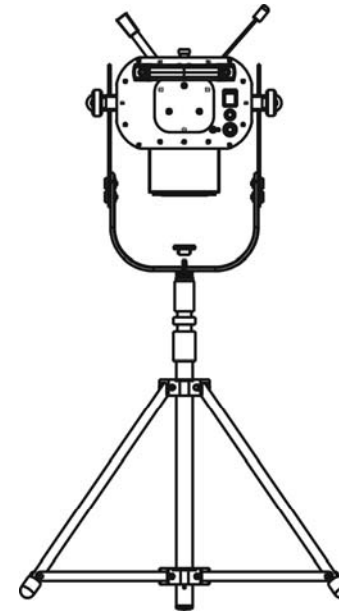
- ◆ To prevent or reduce the risk of electrical shock or fire, do not expose the unit to rain or moisture.
- ◆ Never touch bulb with bare fingers as it is very hot after using.
- ◆ Hot lamp explosion hazard. Do not open the unit within five minutes after switching off.
- ◆ Do not start on the unit without bulb enclosure or housing are damaged.
- ◆ The housing, the lenses, or the ultraviolet filter must be replaced if they are visibly damaged.
- ◆ Do not look directly at the light while the bulb is on.

• Caution

There are no user serviceable parts inside the unit. Do not open the housing or attempt any repairs by yourself. If you need any service, please contact your nearest dealer.

• Installation

The unit should be mounted via its mounting system (as show below). Always ensure that the unit is firmly fixed to avoid vibration and slipping while operating. Always ensure that the structure to which you are attaching the unit is secure and is able to support a weight of 40 kg for each unit.



2. Technical Specification

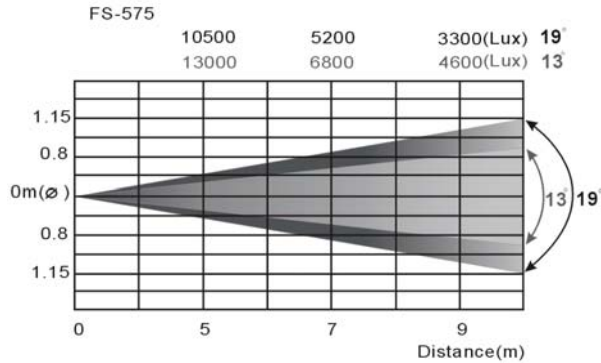
Power supply:

AC 120V 60Hz or 230V 50Hz

Lamp:

MSR 575/2

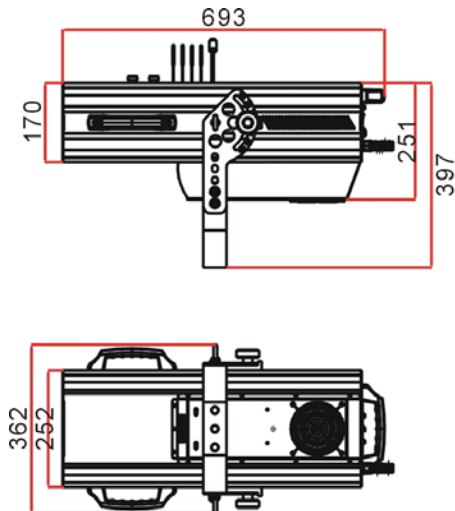
Beam Angle:



Weight: 23kg (120V 60Hz)

22kg (230V 50Hz)

Dimension: 639 × 252 × 170mm



3. Lamp

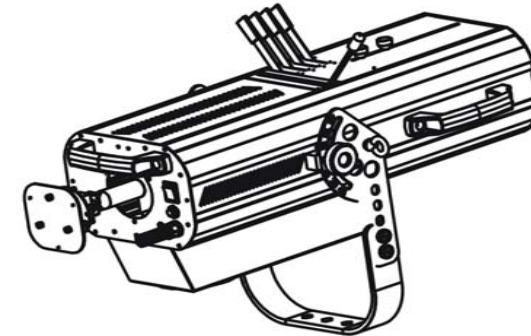


In case of replacement of the lamp or maintenance, do not open the fixture within 15 minutes until the unit cools down after switching off.

Because of its high internal pressure, there might be a risk that the Discharge lamp would explode during operation. The lamp emits intense UV radiation which is harmful to the eyes and skin. The high luminance of the arc can cause severe damage to the retina if looks directly at the lamp.

MSR 575/2

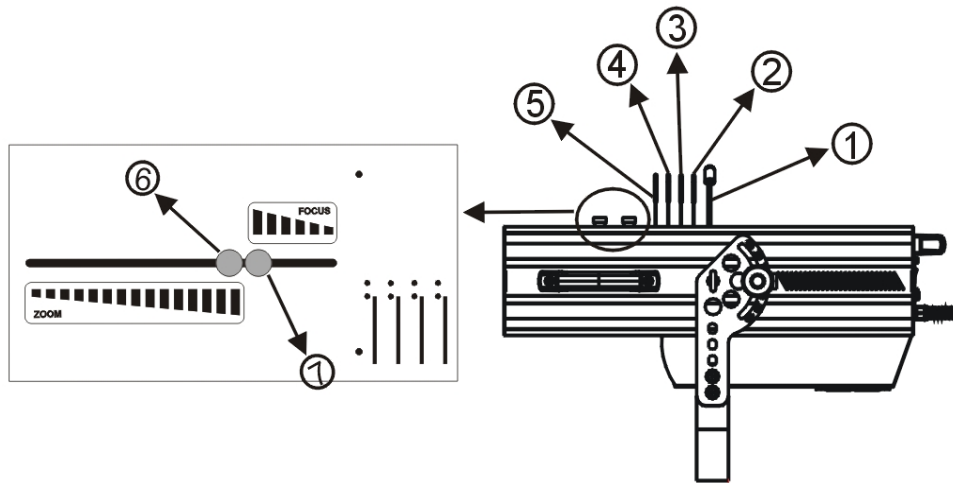
1. Always switch off the main supply and never handle the lamp or luminant when it is hot.
2. Do not touch the bulb with bare hands. If this happens, clean the lamp with denatured alcohol and wipe it with a lint free cloth before installation.
3. The lamp generates UV radiation. Never operate the lamp without appropriate shielding.
4. When burning, the lamp operates at high pressure and there is a slight risk of arc tube rupture. The risk increases with age, temperature and improper handling of the lamp. Do not use the lamp any longer than its specified life.
5. Make sure the lamp is located in the center of the reflector for the best spot.



Lamp replacement

6. If changing the lamp, remove old lamp from lamp socket. Hold the new lamp only by its ceramic base. Never touch the glass bulb. Insert the new lamp in the lamp socket.
7. Please turn the head in horizontal position. Hinge must be on the upper side of the head. Turn screws left and remove plastic cover. Loosen head screw and open the lamp cover

4. Description of the fixture



1. **Iris:** It is used to adjust the diameter of the openness for light to pass through.
2. **Blackout:** It is used to stop the light passing through.
3. **Magenta:** It is used to get the color of magenta.
4. **Yellow:** It is used to get the color of yellow.
5. **Cyan:** It is used to get the color of Cyan
6. **Zoom:** It is used to adjust zoom out or zoom in of the image or light.
7. **Focus:** It is used to focus the projection to have a clear and precise spot.

5. Troubleshooting

Following are a few common problems that may occur during operation. Here are some suggestions for easy troubleshooting:

A. The unit does not work, no light and the fan does not work

1. Check the connect power and main fuse.
2. Measure the mains voltage on the main connector.

D. The lamp is cutting out intermittently

1. The lamp is not working well. Check the main voltage either too high or too low.
2. Internal temperature may be too high. Check and if necessary replace the fan.

6. Fixture Cleaning

The cleaning of internal and external optical lenses and/or mirrors must be carried out periodically to optimize light output. Cleaning frequency depends on the environment in which the fixture operates: damp, smoky or particularly dirty surrounding can cause greater accumulation of dirt on the unit's optics.

- Clean with soft cloth using normal glass cleaning fluid.
- Always dry the parts carefully.
- Clean the external optics at least every 20 days. Clean the internal optics at least every 30/60 days.

EC – Declaration of Conformity

We declare that our products (lighting equipments) comply with the following specification and bears CE mark in accordance with the provision of the Electromagnetic Compatibility (EMC) Directive 89/336/EEC.

EN55014-2: 1997 A1: 2001, EN61000-4-2: 1995; EN61000-4-3: 2002;
EN61000-4-4: 1995; EN61000-4-5: 1995, EN61000-4-6: 1996,
EN61000-4-11: 1994.

&

Harmonized Standard

EN 60598-1: 2004
IEC 60598-1: 2003+ corrigendum 2004
Part 1:General requirements and test

Following the provisions of the low voltage directive 73/23/EEC and 93/68/EEC

Innovation, Quality, Performance